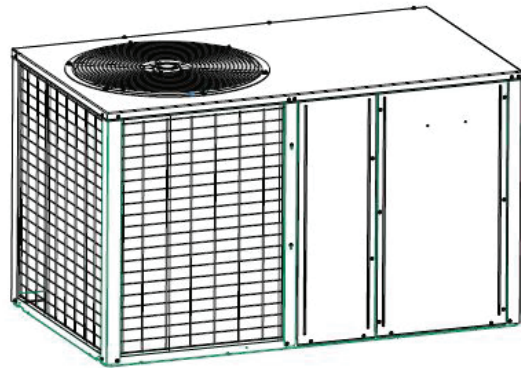


# Submittal

## Single Packaged Cooling/Electric Heat

4TCA4048C1000A



*Note: "Graphics in this document are for representation only. Actual model may differ in appearance."*

# Product Specifications

<b>MODEL</b>	4TCA4048C1000A
RATED Volts/PH/Hz	208-230 / 1 / 60
Performance Cooling BTUH <sup>(a)</sup>	45500
Indoor Airflow (CFM)	1500
Power Input (KW)	4.09
EER2/SEER2 (BTU/Watt-Hr.) <sup>(b)</sup>	10.6 / 13.4
Sound Power Rating [dB(A)] <sup>(c)</sup>	79
<b>POWER CONN. – V/Ph/Hz</b>	208-230 / 1 / 60
Min. Cir. Ampacity <sup>(d)</sup>	32
Max. Overcurrent Protection	50
<b>COMPRESSOR</b>	SCROLL
Volts/Ph/Hz	208-230 / 1 / 60
R.L. Amps – L.R. Amps	19.6 / 130
<b>OUTDOOR COIL – TYPE</b>	MCHE
Rows/F.P.I	1 / 23
Face Area (sq. ft.)	14.85
Tube Size (in.)	1
<b>INDOOR COIL – TYPE</b>	MCHE
Rows/F.P.I	2 / 16
Face Area (sq. ft.)	4.9
Tube Size (in.)	0.81
Refrigeration Control	EXPANSION VALVE
Drain Conn. Size (in.)	3/4 MALE NPT
<b>OUTDOOR FAN – TYPE</b>	PROPELLER
DIA. (IN.)	23
DRIVE/NO. SPEEDS	DIRECT / 1
CFM @ 0.0 in. w.g. <sup>(e)</sup>	3540
Motor – HP/R.P.M	1/5 / 825

Volts/Ph/Hz	200-230 / 1 / 60
F.L. Amps/L.R Amps	1.2 / 2.51
<b>INDOOR FAN – TYPE</b>	CENTRIFUGAL
Dia. x Width (in.)	11 X 11
Drive/No. Speeds	DIRECT / 3
CFM @ 0.0 in. w.g. <sup>(f)</sup>	SEE FAN PERF TABLE
Motor – HP/R.P.M.	3/4 / VARIABLE
Volts/Ph/Hz	208-230 / 1 / 60
F.L. Amps	6.3
<b>FILTER / FURNISHED</b>	NO
Type Recommended	THROWAWAY
Recmd. Face Area (sq. ft) <sup>(g)</sup>	5.3
<b>REFRIGERANT</b>	R-410A
Charge (lbs.)	4.32
<b>CHARGING SPECIFICATIONS</b>	
Subcooling	12°
<b>DIMENSIONS</b>	H X W X L
Crated (in.)	36.5 X 62.5 X 45.9
<b>WEIGHT</b>	
Shipping (lbs.) / Net (lbs.)	530 / 500

<sup>(a)</sup> Rated in accordance with AHRI Standard 210/240.

<sup>(b)</sup> Rated in accordance with D.O.E. test procedure.

<sup>(c)</sup> Sound Power values are not adjusted for AHRI 270-95 tonal corrections.

<sup>(d)</sup> Calculated in accordance with currently prevailing Nat'l Electrical Code.

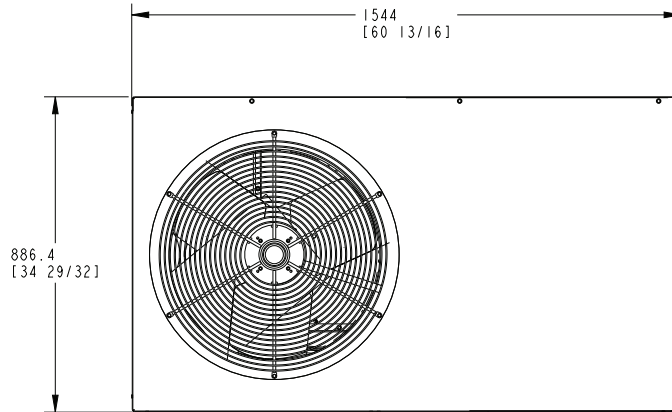
<sup>(e)</sup> Standard Air – Dry Coil – Outdoor.

<sup>(f)</sup> Standard Air – Dry Coil – Indoor

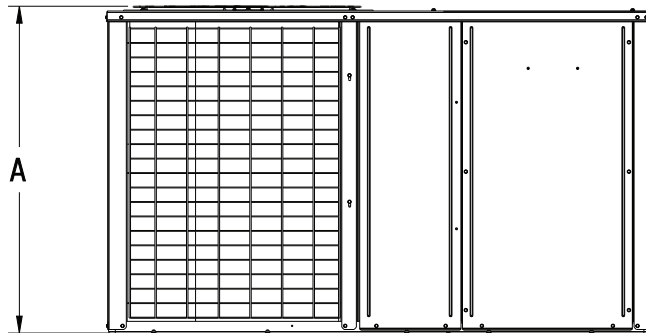
<sup>(g)</sup> Filters must be installed in return air stream. Square footages listed are based on 300 f.p.m. face velocity. If permanent filters are used size per manufacturer's recommendation with a clean resistance of 0.05" W.C.

# Outline Drawings

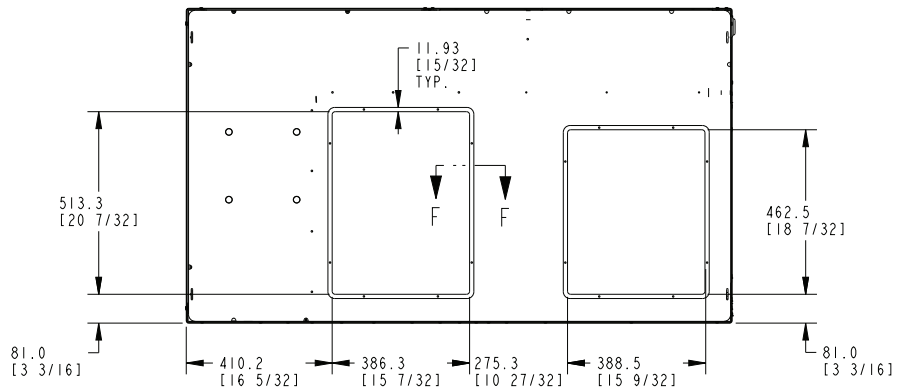
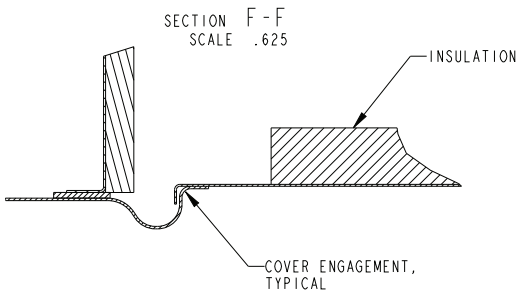
**Figure 1. 2 – 5 Tons**



**TOP SIDE**

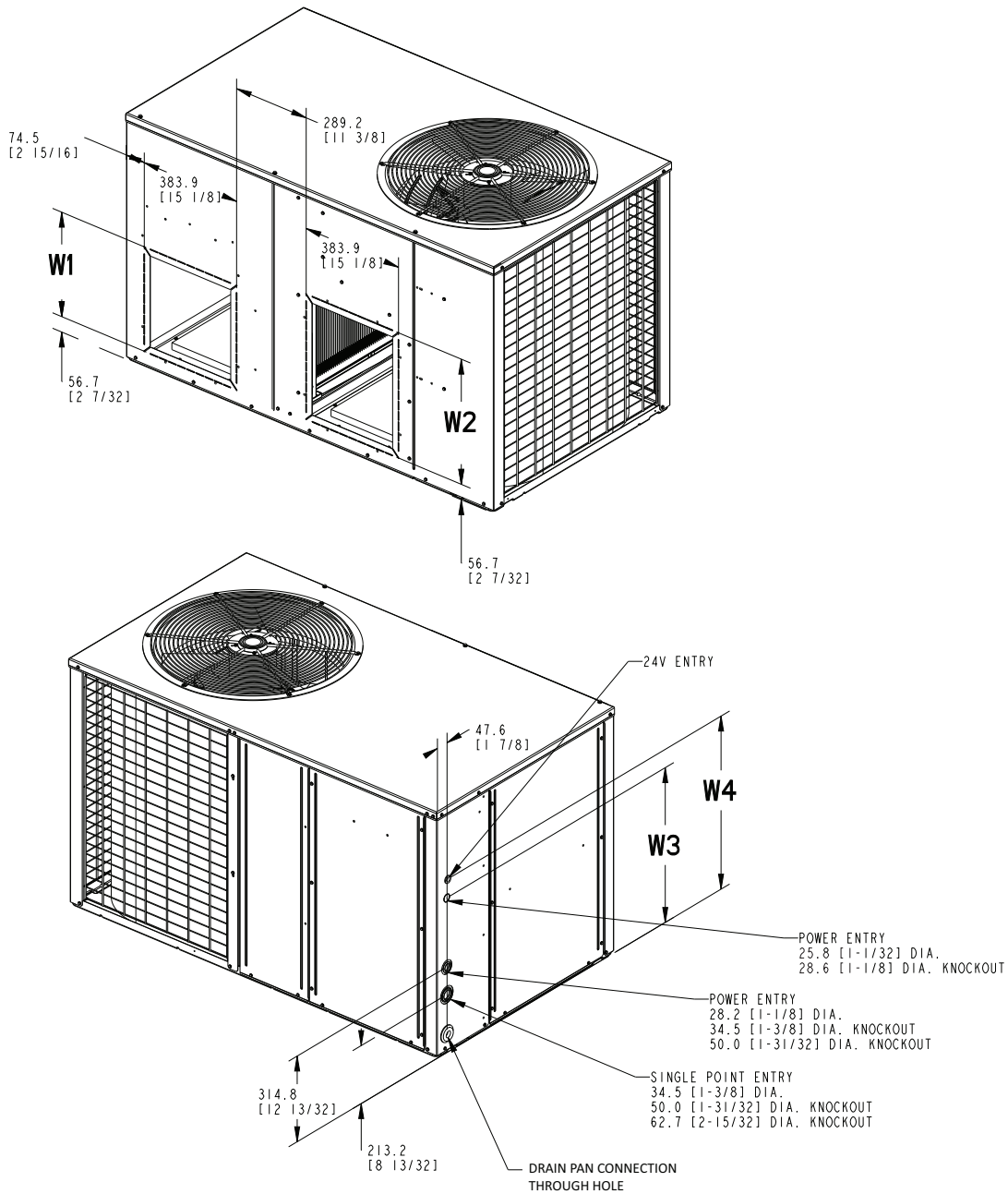


**FRONT SIDE**



**BOTTOM SIDE**

Figure 2. 2 – 5 Tons

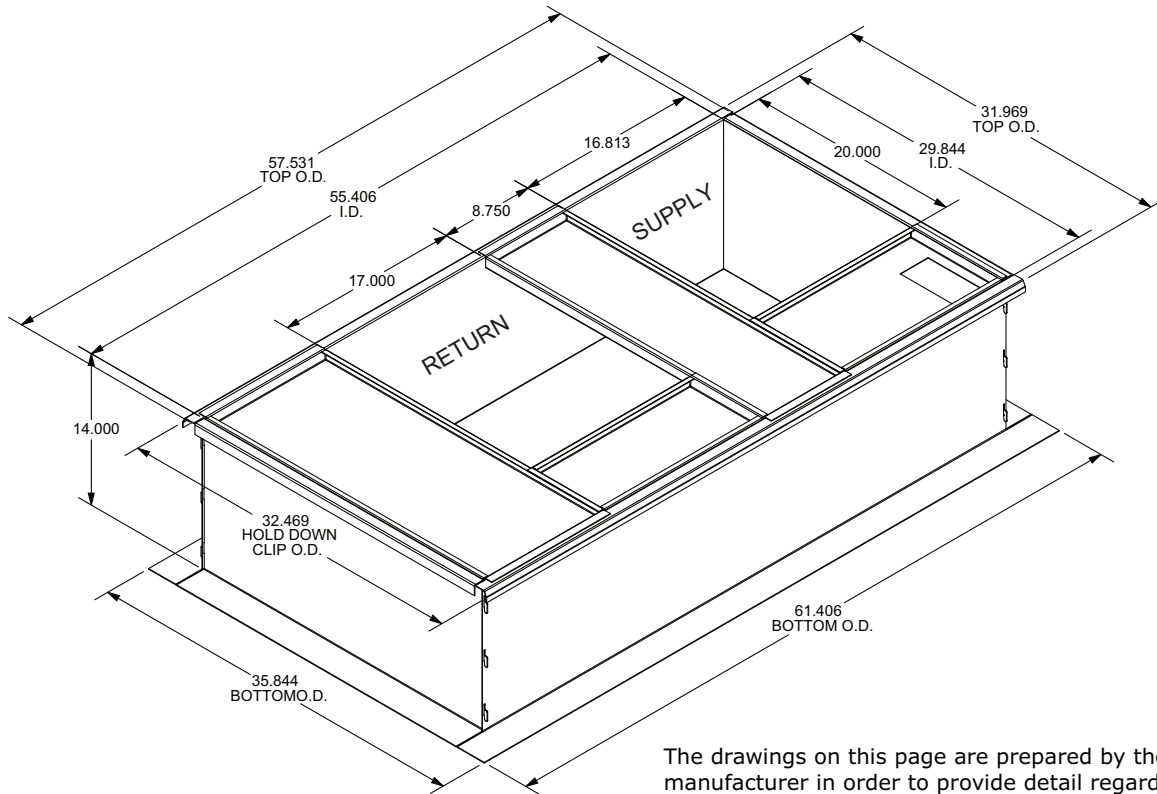


MODEL	HEIGHT MM/IN.		W1	W2	W3	W4	NET WEIGHT/ LBS
	A						
4TCA4024C	918.8 [36-5/32]		383.9 [15 1/8]	460.1 [18 1/8]	568.8 [22 13/32]	636.1 [25 1/32]	400
4TCA4030C	918.8 [36-5/32]		383.9 [15 1/8]	460.1 [18 1/8]	568.8 [22 13/32]	636.1 [25 1/32]	400
4TCA4036C	918.8 [36-5/32]		383.9 [15 1/8]	460.1 [18 1/8]	568.8 [22 13/32]	636.1 [25 1/32]	420
4TCA4042C	918.8 [36-5/32]		383.9 [15 1/8]	460.1 [18 1/8]	568.8 [22 13/32]	636.1 [25 1/32]	420
4TCA4048C	1045.8 [41-5/32]		460.1 [18 1/8]	510.9 [20 1/8]	645.0 [25 13/32]	712.3 [28 1/32]	440
4TCA4060C	1045.8 [41-5/32]		460.1 [18 1/8]	510.9 [20 1/8]	645.0 [25 13/32]	712.3 [28 1/32]	440

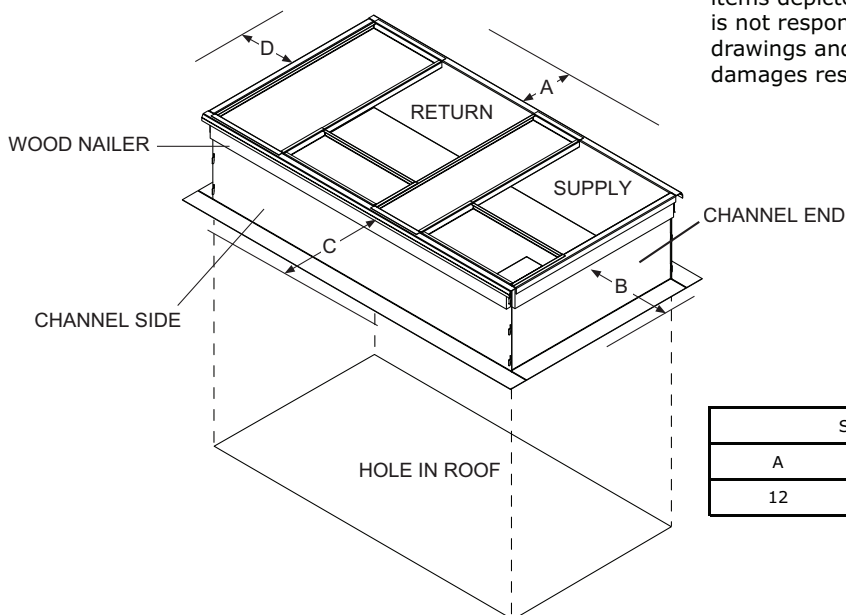
# Full Perimeter Roof Mounting Curb

Figure 3. 2.0 – 5.0 Ton Models

## BAYCURB060A Full Perimeter Roof Mounting Curb



The drawings on this page are prepared by the manufacturer in order to provide detail regarding job layout only. These drawings are not intended to be used as a basis to construct, build or modify the items depicted in the drawings. The manufacturer is not responsible for the unauthorized use of these drawings and expressly disclaims any liability for damages resulting from such unauthorized use.



SERVICE CLEARANCE DIMENSIONS			
A	B	C	D
12	42	42	36

# Supplementary Electric Heaters

**Table 1. BAYHTR1V – Supplementary Electric Heaters**

UNIT MODEL	ELECTRIC HEATER MODEL	RATED VOLT-AGE	PHASE	AMPS	HEATER CAPACITY		NO. OF STAGES	KW/STAGE		MCA	MAX. OVER CURRENT PROTECTION DEVICE
					KW	BTUH		1	2		
4TCA4024C1000A 4TCA4030C1000A 4TCA4036C1000A 4TCA4042C1000A 4TCA4048C1000A 4TCA4060C1000A	BAYHTR1V05LUGAA	208/240	1	17/ 20	3.6/ 4.8	12300/ 16400	1	3.6/ 4.8	—	22/ 25	25/ 25
4TCA4036C1000A 4TCA4042C1000A 4TCA4048C1000A 4TCA4060C1000A	BAYHTR1V08LUGAA	208/240	1	28/ 32	5.76/ 7.68	19700/ 26200	1	5.76/ 7.68	—	35/ 40	35/ 40
4TCA4030C1000A 4TCA4036C1000A 4TCA4042C1000A 4TCA4048C1000A 4TCA4060C1000A	BAYHTR1V10LUGAA	208/240	1	35/ 40	7.2/ 9.6	24600/ 32800	1	7.2/ 9.6	—	43/ 50	45/ 50
4TCA4030C1000A 4TCA4036C1000A 4TCA4042C1000A 4TCA4048C1000A 4TCA4060C1000A	BAYHTR1V15BRKAA	208/240	1	52/ 60	10.8/ 14.4	36900/ 49100	2	7.2/ 9.6	3.6/ 4.8	65/ 75	70/ 80
4TCA4048C1000A 4TCA4060C1000A 4TCA4060C1000A	BAYHTR1V20BRKAA	208/240	1	69/ 80	14.4/ 19.2	49100/ 65500	2	7.2/ 9.6	7.2/ 9.6	87/ 100	90/ 100

1. Any power supply and circuits must be wired and protected in accordance with local electrical codes.  
 2. The values listed in the above table are for the electric heater only.  
 3. Field wiring must be rated at least 75° C.  
 4. \* indicates an alpha character

ALL VALUES ARE FOR THE ELECTRIC HEATER ONLY

**Table 2. BAYSPEK – Single Power Entry Kit**

SINGLE CIRCUIT POWER AMPACITY AND OVER CURRENT PROTECTION				
UNIT MODEL	SINGLE POWER ENTRY KIT	HEATER MODEL	MIN CKT AMP	MAX OVER-CURRENT DEVICE
4TCA4048C	BAYSPEK071	BAYHTR1V15	83	90
		BAYHTR1V20	108	110
	BAYSPEK072	BAYHTR1V05	33	50
		BAYHTR1V08	48	50
		BAYHTR1V10	58	60

# Mechanical Specifications

## General

The units shall be horizontal airflow as shipped and convertible to downflow. All units shall be factory assembled, piped, internally wired and fully charged with refrigerant. Units shall be certified to UL Standard 1995. All units shall be factory run tested to check cooling operation, fan and blower rotation and control or TXV sequence. Units shall be designed to operate at ambient temperatures between 115°F and 55°F in cooling as manufactured. Cooling performance shall be rated in accordance with AHRI standards.

## Unit Casing

All components shall be mounted in a weather-resistant steel cabinet with an enamel finish. Access panels shall be provided for unit controls and indoor coil and fans. Indoor air section compartment shall be completely insulated with fireproof, permanent, odorless fiber material. Knockouts shall be provided for utility and control connections. Drain connections shall be provided to accommodate indoor water runoff.

## Compressor (2 and 2 1/2 Ton Models)

The compressor shall be hermetically sealed, high efficiency rotary compressors. Internal overcurrent and over temperature protection, internal pressure relief shall be standard. Other features include centrifugal oil pump, low vibration and noise.

## Compressor (3–5 Ton Models)

The compressor shall be hermetically sealed, high efficiency scroll compressors. Internal overcurrent and over temperature protection, internal pressure relief shall be standard. Other features include centrifugal oil pump, low vibration and noise.

## Refrigeration System

All units shall have refrigerant control. Service pressure tap ports and a refrigerant line filter shall be standard.

**Evaporator Coil (2–4 Ton Models)** All aluminum micro channel, extruded tubes, mechanically bonded to aluminum fins, and factory pressure and leak tested at 480 – 650 psig. All units have TXV to control refrigerant flow.

**Evaporator Coil (5 Ton Model)** Internally enhanced 3/8" OD seamless copper tubing mechanically bonded to aluminum fins, factory pressure and leak tested at 480 – 650 psig. All units have TXV to control refrigerant flow.

## Condenser Coil

All aluminum micro channel, extruded tubes, mechanically bonded to aluminum fins, and factory pressure and leak tested at 480 – 650 psig.

## Indoor Air Fan

Constant Torque, forward-curved, centrifugal wheel in a Metallic Blower housing. Motor shall have thermal overload protection and permanently lubricated motor bearings. Motor/blower assembly isolated from unit with rubber mounts.

## Outdoor Fan

One direct-drive, statically and dynamically balanced propeller fan shall be used in a draw-through vertical discharge configuration. Permanently lubricated weather proof motor shall have built-in thermal overload protection.

## System Controls

System controls include condenser fan, evaporator fan and compressor contactors.

## Accessories Roof Curb

The roof curb shall be designed to mate with the unit and provide support and complete weathertight installation when properly installed. Adhesive back polyurethane sealing strips shall be provided to ensure an airtight seal between supply and return openings of the curb and unit. The roof curb design allows field fabricated ductwork to be connected directly to the curb. Curb ships knocked down for field assembly, and includes factory installed wood nailer strips.

## Electric Heaters

Each heater assembly shall include power supply fusing if over 48 amps, automatic resetting limit switches and heat limiters for thermal protection. Heaters shall be provided with polarized plugs for quick connection to unit low voltage wiring. Electric heat modules shall be UL listed.

## Single Source Power Entry

This accessory when used with electric heat accessory shall allow single source power connection to unit and heater combination. Single source power entry kits shall have specific matching heater(s). Kit shall include high voltage terminal blocks, fuse blocks and fuses, cut-to-length interconnecting wiring, and junction box (if required) to provide power sources with fuse protection as required for both the unit and accessory heater. Kit components shall install within the heater cabinet in the heater access section. Single source branch power circuit shall be protected and wired in accordance with local codes.

## Mechanical Specifications

---

### **Start Kit**

Extra compressor starting capacity for single phase equipment.

### **Control Options**

#### **Standard Indoor Thermostats**

Two stage heating/cooling or one stage heating/cooling thermostats shall be available in either manual or automatic changeover.

### **Programmable Electronic Night Setting Thermostat**

Programmable electronic thermostat shall provide heating setback and cooling setup with 7-day programming capability. 1H/1C or 2H/2C models available.



## About Trane and American Standard Heating and Air Conditioning

Trane and American Standard create comfortable, energy efficient indoor environments for residential applications. For more information, please visit [www.trane.com](http://www.trane.com) or [www.americanstandardair.com](http://www.americanstandardair.com).

---



The AHRI Certified mark indicates company participation in the AHRI Certification program. For verification of individual certified products, go to [ahridirectory.org](http://ahridirectory.org).

The manufacturer has a policy of continuous data improvement and it reserves the right to change design and specifications without notice. We are committed to using environmentally conscious print practices.